

Version	2.0	Date	4/25/18
Prepared By	JC		

**PRODUCT SPECIFICATION**

<b>Category</b>	HID Retrofit Kit
<b>Item Number</b>	7609
<b>Stock Code</b>	LED-RKIT50HID/50K
<b>Mounting</b>	Yoke / E39
<b>Housing Color</b>	Black



ELECTRICAL CHARACTERISTICS			
Rated Wattage (W)	50	Replacement Wattage (W)	250-400
Tested Wattage (W)	50		
Input Voltage (V)	120-277V	Surge Protect Level	4KV
Voltage Frequency (Hz)	50/60	Dimmable	1-10V
Input Current (A)	0.5	AUX (12V) Line	-
Power Factor	>0.9		
THD	<20%		

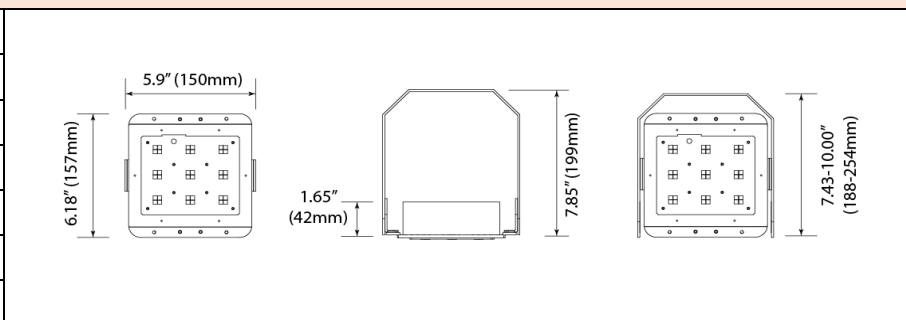
PHOTOMETRIC CHARACTERISTICS			
Lumen (lm)	6,837	CCT (K)	5000K
Efficacy (lm/w)	137	Beam Angle (°)	Type 5
CRI	>70		

GENERAL CHARACTERISTICS	
Operating Temperature (°F)	-22°F ~ 122°
Storage Temperature (°F)	-22°F ~ 140°
IP Rating	-
IK Rating	-
Rated Life (Hrs)	50,000
Warranty (Yrs)	5

ACCESSORIES		
Item #	Stock Code	Description

**PRODUCT DIMENSIONS**

Width- in / (mm)	5.90"	150
Height- in / (mm)	6.18"	157
Depth- in / (mm)	1.65"	42
EPA (ft²)	-	-
Weight (lbs)	4	-
Mounting Height (ft)	-	-
Cable Length (ft)	-	-



CERTIFICATIONS			
UL/ETL	ETL/cETL	CEC	
NSF/ETL Sanitation		JA8	
Energy Star		FCC	✓
DLC		RoHs	✓

DOCUMENTS			
LM79	✓	IES File	✓
LM80	✓	Dimmer List	

**COMMENTS**

--